

Ip to Espa 444 Converter



Setup the
IP
to
Espa 444
Converter.

www.elexol.nl

Index

Connect to the TCP/IP network	3
Connect to the ESPA444 equipment	4
Connect the power	5
Connect the output-relays	6
Opening the cab for the status leds	7
The status leds	8
Using the diagnoseport	9

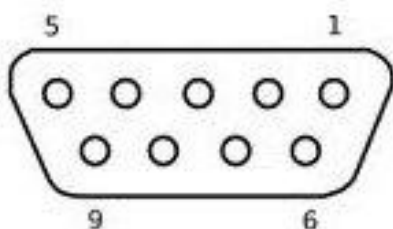
Connect to the TCP/IP network:



The TCP/IP network cable is connected to the RJ45 socket. As soon as the connection is made, and the device is powered up, the green led lights up to indicate the network connection.

More status information on the TCP/IP port can be found behind the cap on the other side of the housing. See Page 7 of this document for further explanation.

Connect to the ESPA44 equipment:



The convertor uses a standard 9p SUBD connector to connect to the ESPA444 equipment.

The pinlayout is:

- Pin 2: TxD
- Pin 3: RxD
- Pin 5: GND
- Pin 7: CTS
- Pin 8: RTS

We strongly recommend to secure the RS232 cable to the housing using the screw mounts.

More settings, like baudrate and more, are being setup via TCP/IP or the RS232 diagnoseport. For further information see the associated document.

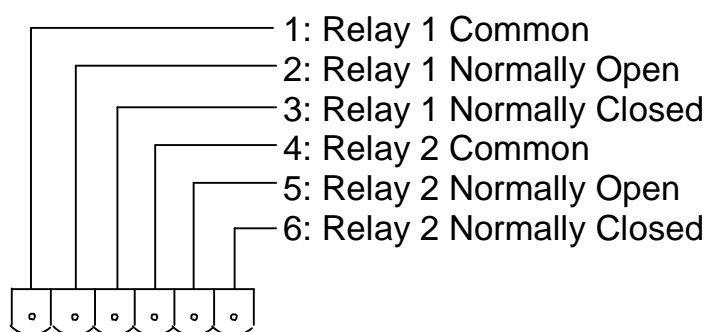
For status information about the communication via ESPA4.4.4. see page 7 of this document.

Connect the power to the converter:

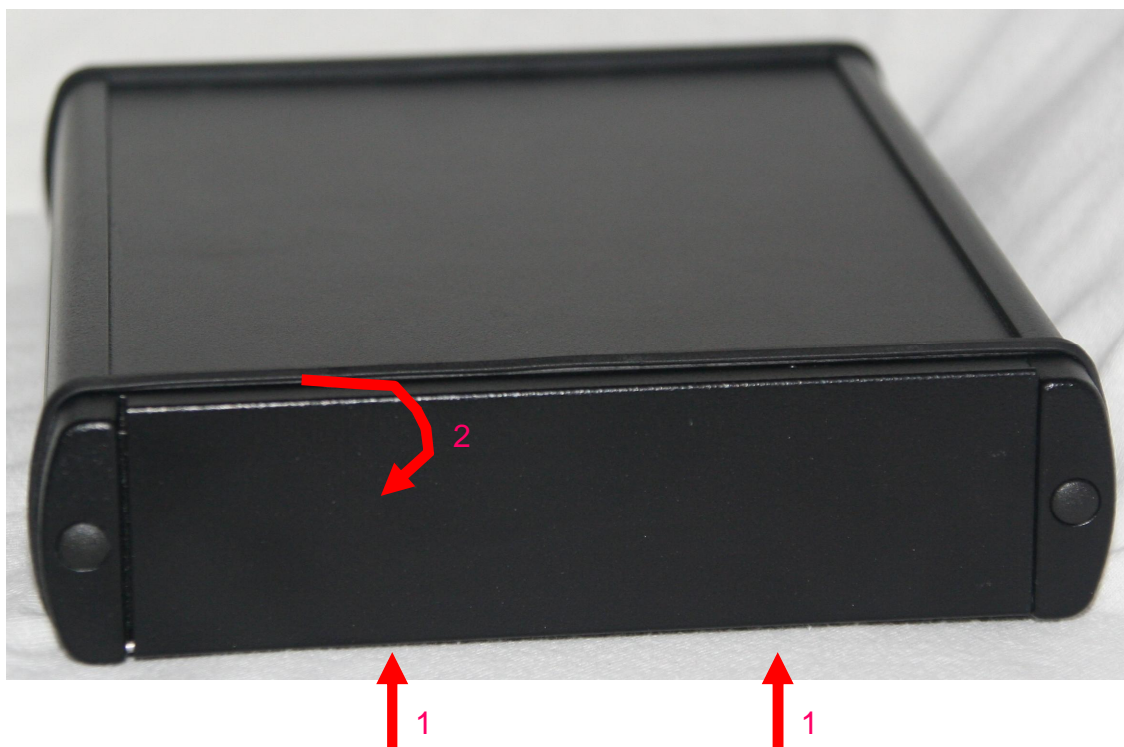


The power supply of the Converter is 12V DC.
It is advised to use the power supply shipped with the converter.

Connect the output relays:



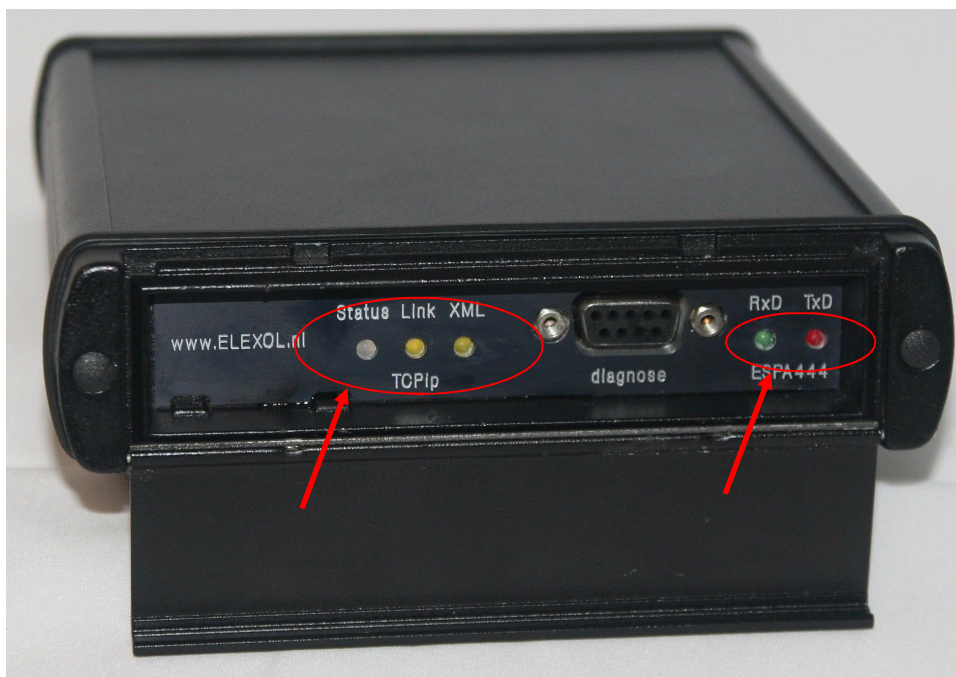
Opening the cover to see the status leds and access the diagnoseport.



To open the cover, press it to the upward position (marked 1) and open it by using a screwdriver on the top side of the cover (marked 2).



Status led indicators:



Status:	Flashes short green each second: The system is OK, no problems on TCP/IP or ESPA 444 side and no calls in the buffer remaining. zijde zijn en er geen oproep in het buffer staat.
	Flashes long green each second: The system is OK, no problems on TCP/IP or ESPA444 side, but calls are available in the buffer.
	Flashes short red each second: An error is just detected.
	Flashes short red continuous: An error remains to long.
	Flashes orange: New settings are programmed. After a few seconds these new settings are loaded into the converter, and the orange flashing stops.
Link:	Flashes short each second: The converter is waiting for a connection on TCP/IP side.
	Lits up continuous: The converter is connected via TCP/IP.
XML:	Flashes on each recognised command via TCP/IP.
RxD:	Flashes if data is received from the ESPA4.4.4. equipment.
TxD:	Flashes if data is transmitted to the ESPA4.4.4. equipment.

The diagnoseport:



The diagnoseport is used to set up the Converter.

If needed, the Converter can be set up using the ConfigTool-IP. It is also possible to get diagnostic information out of the converter in case of problems.
Connect the 9 pole subd to the laptop with a straight forward (1 on 1) 9 pole cable.